

14051Z 140x140x51MM

General Specifications

- ◆ Material..... Frame: Plastic (UL94V-0)  
Impeller: Plastic (UL94V-0)  
Lead Wire: UL1007AWG#24 or Equivalent (+) Red, (-) Black
- ◆ Expected Life..... Ball Bearing 70,000hrs (40°C)
- ◆ Temperature Range.... Operating temperature -10°C~70°C (Non-condensing)  
Storage temperature -40°C~70°C (Non-condensing)
- ◆ Safety Standards..... UI, TUV, RoHS, CE
- ◆ DC Fan Specials..... RD, FG, PWM, Temperatrue control, IP56

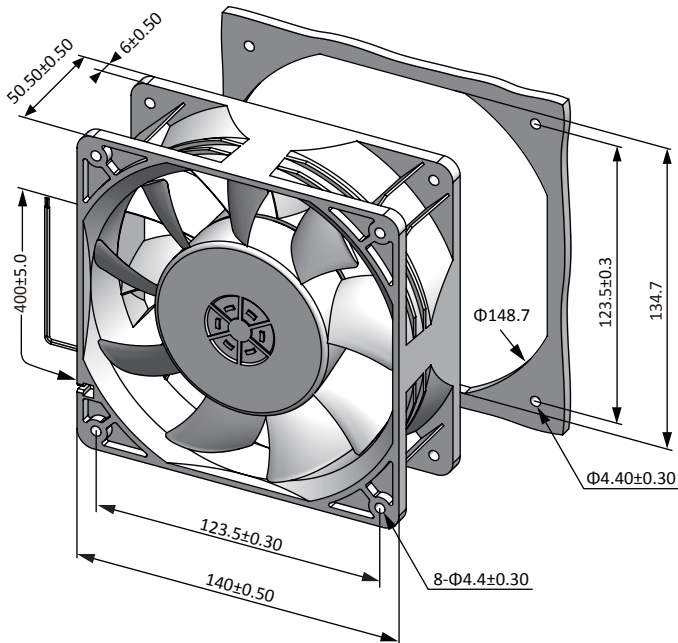


Specifications

Model	#Bearing Type	Rated Voltage	Operating Voltage	Input Current	Input Power	Speed	Max Air Flow		Max Static Pressure		Noise	Weight
Part No.	B.S	VDC	VDC	Amp	Watt	RPM	CFM	m <sup>3</sup> /min	Inch-H <sub>2</sub> O	Pa	dB-A	g
DZ14051#24H	B	24	14.0~27.6	1.53	36.72	3600	273.09	7.73	0.78	194.22	61.7	670.0
DZ14051#24M	B	24	14.0~27.6	0.91	21.84	3200	252.11	7.13	0.64	159.36	58.5	670.0
DZ14051#24L	B	24	14.0~27.6	0.71	17.04	2800	219.73	6.22	0.51	126.99	54.5	670.0
DZ14051#48H	B	48	28.0~56.0	0.77	36.96	3600	273.09	7.73	0.78	194.22	61.7	670.0
DZ14051#48M	B	48	28.0~56.0	0.50	24.00	3200	252.11	7.13	0.64	159.36	58.5	670.0
DZ14051#48L	B	48	28.0~56.0	0.36	17.28	2800	219.73	6.22	0.51	126.99	54.5	670.0

Specifications are subject to change without notice. Please visit our website at <http://www.szhxht.com> for update information

Dimensions (Unit:mm)



PQ Curve (At rated Voltage)

