

9238Z 92x92x38MM

General Specifications

- ◆ Material..... Frame: Plastic (UL94V-0)
Impeller: Plastic (UL94V-0)
Lead Wire: UL1007AWG#24 or Equivalent (+) Red, (-) Black
- ◆ Expected Life..... Ball Bearing 70,000hrs (40°C)
- ◆ Temperature Range... Operating temperature -10°C~70°C (Non-condensing)
Storage temperature -40°C~70°C (Non-condensing)
- ◆ Safety Standards..... UI, TUV, RoHS, CE
- ◆ DC Fan Specials..... RD, FG, PWM, Temperature control, IP56

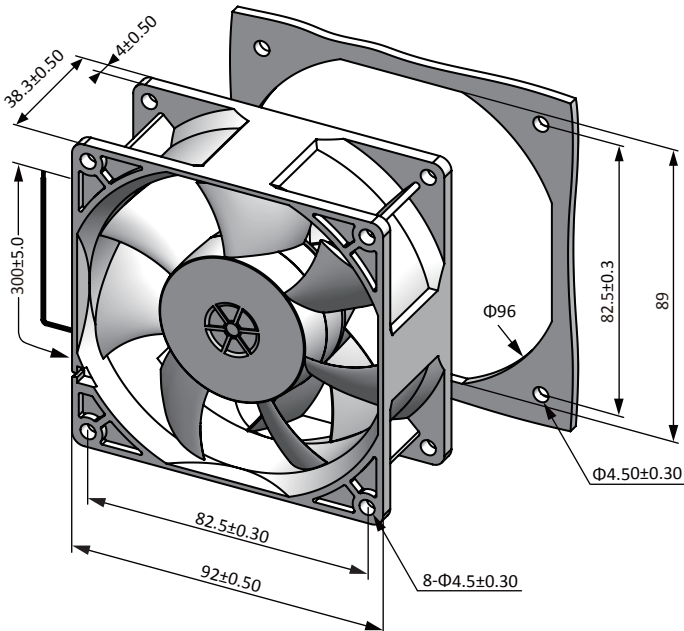


Specifications

Model	#Bearing Type	Rated Voltage	Operating Voltage	Input Current	Input Power	Speed	Max Air Flow		Max Static Pressure		Noise	Weight
Part No.	B.S	VDC	VDC	Amp	Watt	RPM	CFM	m ³ /min	Inch-H ₂ O	Pa	dB-A	g
DZ09238#12U	B	12	7.0~13.8	2.50	30.00	6000	139.87	3.96	0.96	238.79	61.0	166.0
DZ09238#12H	B	12	7.0~13.8	1.80	21.60	5500	124.56	3.53	0.79	196.23	56.0	166.0
DZ09238#12M	B	12	7.0~13.8	1.20	14.40	5000	115.09	3.26	0.71	176.52	50.0	166.0
DZ09238#12L	B	12	7.0~13.8	0.90	10.80	4500	102.73	2.91	0.58	145.04	45.0	166.0
DZ09238#24U	B	24	14.0~27.6	1.50	36.00	6000	139.87	3.96	0.96	238.79	61.0	166.0
DZ09238#24H	B	24	14.0~27.6	1.00	24.00	5500	124.56	3.53	0.79	196.23	56.0	166.0
DZ09238#24M	B	24	14.0~27.6	0.80	19.20	5000	115.09	3.26	0.71	176.52	50.0	166.0
DZ09238#24L	B	24	14.0~27.6	0.60	14.40	4500	102.73	2.91	0.58	145.04	45.0	166.0
DZ09238#48U	B	48	28.0~56.0	0.80	38.40	6000	139.87	3.96	0.96	238.79	61.0	166.0
DZ09238#48H	B	48	28.0~56.0	0.60	28.80	5500	124.56	3.53	0.79	196.23	56.0	166.0
DZ09238#48M	B	48	28.0~56.0	0.40	19.20	5000	115.09	3.26	0.71	176.52	50.0	166.0
DZ09238#48L	B	48	28.0~56.0	0.30	14.40	4500	102.73	2.91	0.58	145.04	45.0	166.0

Specifications are subject to change without notice. Please visit our website at <http://www.szhxht.com> for update information

Dimensions (Unit:mm)



PQ Curve (At rated Voltage)

