

8038Z 80x80x38MM

General Specifications

- ◆ Material..... Frame: Plastic (UL94V-0)  
Impeller: Plastic (UL94V-0)  
Lead Wire: UL1007AWG#24 or Equivalent (+) Red, (-) Black
- ◆ Expected Life..... Ball Bearing 70,000hrs (40°C)
- ◆ Temperature Range... Operating temperature -10°C~70°C (Non-condensing)  
Storage temperature -40°C~70°C (Non-condensing)
- ◆ Safety Standards..... UL, TUV, RoHS, CE
- ◆ DC Fan Specials..... RD, FG, PWM, Temperature control, IP56

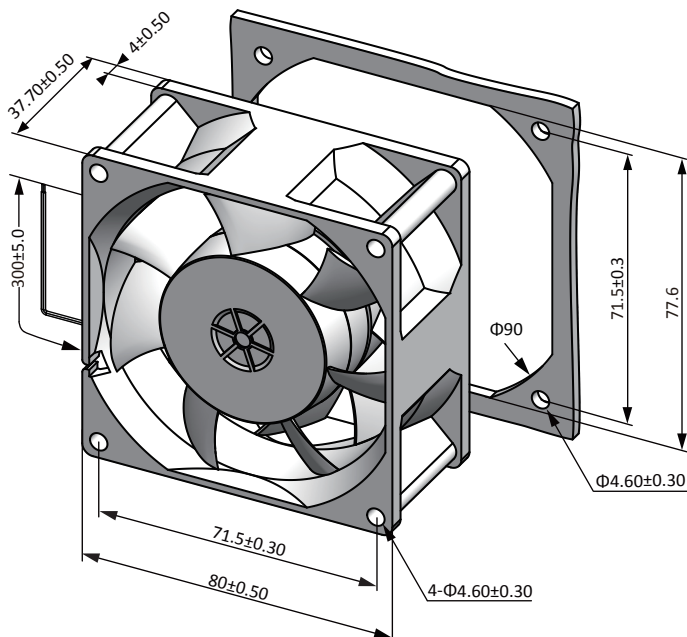


Specifications

Model	#Bearing Type	Rated Voltage	Operating Voltage	Input Current	Input Power	Speed	Max Air Flow	Max Static Pressure	Noise	Weight		
Part No.	B.S	VDC	VDC	Amp	Watt	RPM	CFM	m <sup>3</sup> /min	Inch-H <sub>2</sub> O	Pa	dB-A	g
DZ08038#12U	B	12	7.0~13.8	1.50	18.00	6500	90.60	2.57	0.99	245.56	59.0	153.0
DZ08038#12H	B	12	7.0~13.8	0.90	10.80	5500	74.46	2.11	0.68	168.48	53.0	153.0
DZ08038#12M	B	12	7.0~13.8	0.60	7.20	4500	60.08	1.70	0.46	114.74	47.0	153.0
DZ08038#12L	B	12	7.0~13.8	0.40	4.80	3500	45.11	1.28	0.26	65.70	43.0	153.0
DZ08038#24U	B	24	14.0~27.6	0.80	19.20	6500	90.60	2.57	0.99	245.56	59.0	153.0
DZ08038#24H	B	24	14.0~27.6	0.50	12.00	5500	74.46	2.11	0.68	168.48	53.0	153.0
DZ08038#24M	B	24	14.0~27.6	0.30	7.20	4500	60.08	1.70	0.46	114.74	47.0	153.0
DZ08038#24L	B	24	14.0~27.6	0.20	4.80	3500	45.11	1.28	0.26	65.70	43.0	153.0
DZ08038#48U	B	48	28.0~56.0	0.50	24.00	6500	90.60	2.57	0.99	245.56	59.0	153.0
DZ08038#48H	B	48	28.0~56.0	0.30	14.40	5500	74.46	2.11	0.68	168.48	53.0	153.0
DZ08038#48M	B	48	28.0~56.0	0.20	9.60	4500	60.08	1.70	0.46	114.74	47.0	153.0
DZ08038#48L	B	48	28.0~56.0	0.10	4.80	3500	45.11	1.28	0.26	65.70	43.0	153.0

Specifications are subject to change without notice. Please visit our website at <http://www.szhxht.com> for update information

Dimensions (Unit:mm)



PQ Curve (At rated Voltage)

