

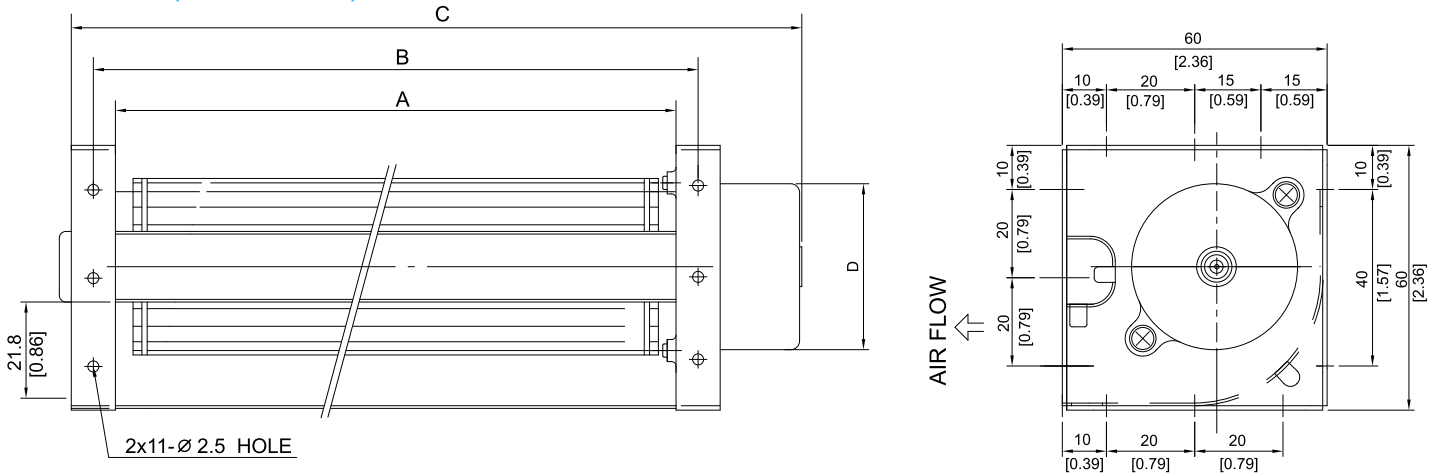
## DC40

### General Specifications

Impeller Diameter :40mm  
 Impeller material: Aluminum  
 Housing :Galvanized steel with black panting  
 Rubber parts: Silicone  
 Bearing: Ball Bearing  
 Lead Wire: UL1007 AWG#24 or Equivalent (+)Red, (-)Black  
 Expected life: Ball Bearing 50,000hrs(40°C)  
 Operating temperature -10°C~+70°C(Non-condensing)  
 Storage temperature -40°C~+70°C(Non-condensing)



### Dimensions(Unit:mm/inch)



### Specifications

MODEL NO.	DIMENSION(mm)			WEIGHT (g)	RATED VOLTAGE (V)	RATED CURRENT (A)	INPUT POWER (W)	SPEED (RPM)	MAX. AIR PRESSURE		MAX. AIR FLOW		NOISE dB(A)
	A	B	C						inchH <sub>2</sub> O	mmH <sub>2</sub> O	CFM	m <sup>3</sup> /min	
DC40090B12H	98	108	134	220	12	0.20	2.40	3000	0.11	2.9	24	0.7	33
DC40090B24H	98	108	134	220	24	0.12	2.80	3000	0.11	2.9	24	0.7	33
DC40150B12H	160	170	196	260	12	0.25	3.00	2600	0.10	2.6	42	1.2	31
DC40150B24H	160	170	196	260	24	0.14	3.36	2600	0.10	2.6	42	1.2	31
DC40190B12H	198	208	234	310	12	0.30	3.60	2500	0.10	2.5	53	1.5	31
DC40190B24H	198	208	234	310	24	0.18	4.32	2500	0.10	2.5	53	1.5	31
DC40250B12H	250	260	286	360	12	0.35	4.20	2300	0.09	2.3	60	1.7	33
DC40250B24H	250	260	286	360	24	0.20	4.80	2300	0.09	2.3	60	1.7	33
DC40290B12H	300	310	345	410	12	0.40	4.80	2600	0.09	2.2	74	2.7	42
DC40290B24H	300	310	345	410	24	0.22	5.28	2600	0.09	2.2	74	2.7	42
DC40350B12H	348	358	400	570	12	0.60	7.20	2400	0.08	2.0	106	3.0	47
DC40350B24H	348	358	400	570	24	0.35	8.40	2400	0.08	2.0	106	3.0	47
DC40420B12H	420	430	468	620	12	0.66	7.92	2200	0.07	1.7	130	3.3	48
DC40420B24H	420	430	468	620	24	0.38	9.12	2200	0.07	1.7	130	3.3	48

### PQ Curve(At Rated Voltage)

