

17569

Φ175x69MM

General Specifications

- ◆ Material..... Pillow: Die-Cast Aluminum  
Impeller: Plastic (UL94V-0)  
Lead Wire: UL1007AWG#20 or Equivalent (+) Red, (-) Black
- ◆ Expected Life..... Ball Bearing 50,000hrs (40°C)
- ◆ Temperature Range.... Operating temperature -10°C~70°C (Non-condensing)  
Storage temperature -40°C~70°C (Non-condensing)
- ◆ Safety Standards..... UI, TUV, RoHS, CE
- ◆ DC Fan Specials..... RD, FG, PWM, Temperature control, IP56

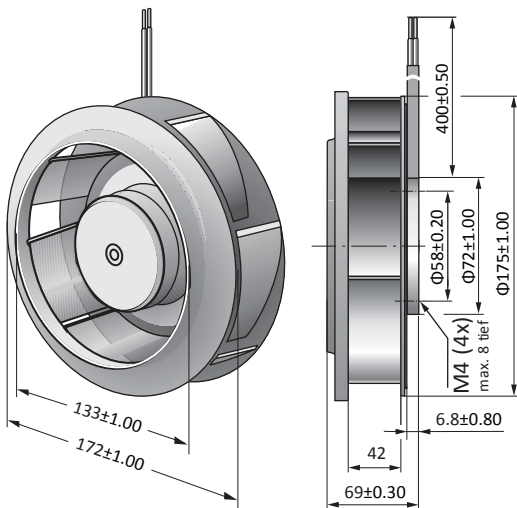


Specifications

Model	#Bearing Type	Rated Voltage	Operating Voltage	Input Current	Input Power	Speed	Max Air Flow		Max Static Pressure		Noise	Weight
Part No.	B.S	VDC	VDC	Amp	Watt	RPM	CFM	m <sup>3</sup> /min	Inch-H <sub>2</sub> O	Pa	dB-A	g
DB17569B24H	B	24	14.0~27.6	2.00	48.00	3000	332.54	9.41	1.60	398.27	64.0	780.0
DB17569B24M	B	24	14.0~27.6	1.20	28.80	2500	277.12	7.84	1.11	276.58	59.0	780.0
DB17569B24L	B	24	14.0~27.6	0.75	18.00	2000	221.69	6.27	0.71	177.11	54.0	780.0
DB17569B48H	B	48	28.0~56.0	1.00	48.00	3000	332.54	9.41	1.60	398.27	64.0	780.0
DB17569B48M	B	48	28.0~56.0	0.60	28.80	2500	277.12	7.84	1.11	276.58	59.0	780.0
DB17569B48L	B	48	28.0~56.0	0.35	16.80	2000	221.69	6.27	0.71	177.11	54.0	780.0

Specifications are subject to change without notice. Please visit our website at <http://www.szhxht.com> for update information

Dimensions (Unit:mm)



PQ Curve (At rated Voltage)

