

4510

45x45x10MM

General Specifications

- ◆ Material..... Frame: Plastic (UL94V-0)
Impeller: Plastic (UL94V-0)
Lead Wire: UL1571AWG#28 or Equivalent (+) Red, (-) Black
- ◆ Expected Life..... Ball Bearing 70,000hrs (40°C)
Sleeve Bearing 30,000hrs (40°C)
- ◆ Temperature Range.... Operating temperature -10°C~70°C (Non-condensing)
Storage temperature -40°C~70°C (Non-condensing)
- ◆ Safety Standards..... UI, TUV, RoHS, CE
- ◆ DC Fan Specials..... RD, FG, PWM, IP56

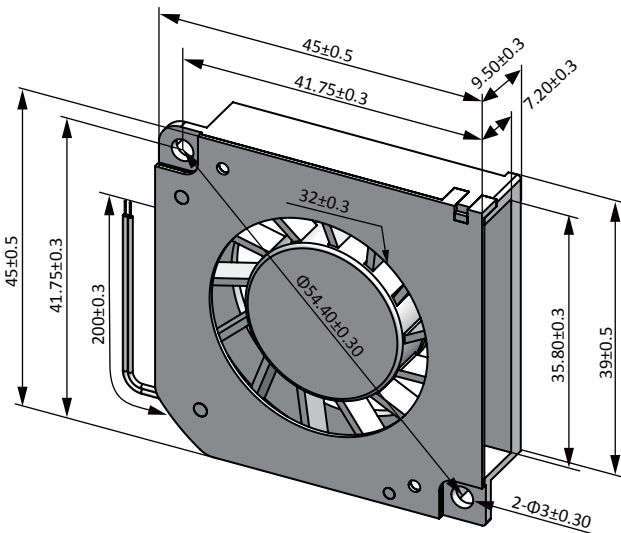


Specifications

Model	#Bearing Type	Rated Voltage	Operating Voltage	Input Current	Input Power	Speed	Max Air Flow		Max Static Pressure		Noise	Weight
Part No.	B.S	VDC	VDC	Amp	Watt	RPM	CFM	m ³ /min	Inch-H ₂ O	Pa	dB-A	g
DB04510#05H	B.S	5	3.5~5.5	0.23	1.15	5500	1.88	0.05	0.25	62.25	32.0	28.0
DB04510#05M	B.S	5	3.5~5.5	0.20	1.00	5000	1.67	0.05	0.24	59.76	29.0	28.0
DB04510#05L	B.S	5	3.5~5.5	0.16	0.80	4500	1.50	0.04	0.20	49.80	27.0	28.0
DB04510#05D	B.S	5	3.5~5.5	0.14	0.70	4000	1.21	0.13	0.15	37.35	25.0	28.0
DB04510#12H	B.S	12	7.0~13.8	0.12	1.15	5500	1.88	0.05	0.25	62.25	32.0	28.0
DB04510#12M	B.S	12	7.0~13.8	0.10	1.00	5000	1.67	0.05	0.24	59.76	29.0	28.0
DB04510#12L	B.S	12	7.0~13.8	0.08	0.80	4500	1.50	0.04	0.20	49.80	27.0	28.0
DB04510#12D	B.S	12	7.0~13.8	0.06	0.70	4000	1.21	0.13	0.15	37.35	25.0	28.0

Specifications are subject to change without notice. Please visit our website at <http://www.szhxt.com> for update information

Dimensions (Unit:mm)



PQ Curve (At rated Voltage)

