

9238

92x92x38MM



General Specifications

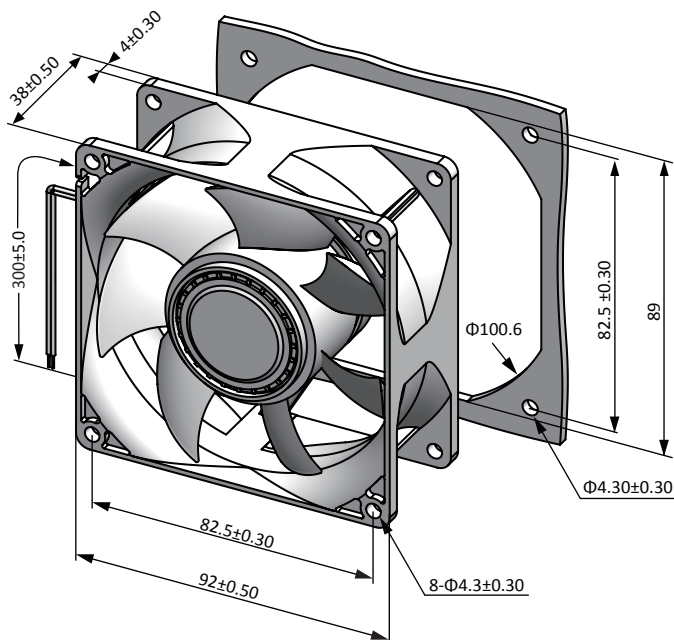
- ◆ Material..... Frame: Plastic (UL94V-0)
Impeller: Plastic (UL94V-0)
Lead Wire: UL1007AWG#24 or Equivalent (+) Red, (-) Black
- ◆ Expected Life..... Ball Bearing 70,000hrs (40°C)
- ◆ Temperature Range... Operating temperature -10°C~70°C (Non-condensing)
Storage temperature -40°C~70°C (Non-condensing)
- ◆ Safety Standards..... UL, TUV, RoHS, CE
- ◆ DC Fan Specials..... RD, FG, PWM, IP56

Specifications

Model	#Bearing Type	Rated Voltage	Operating Voltage	Input Current	Input Power	Speed	Max Air Flow		Max Static Pressure		Noise	Weight
Part No.	B.S	VDC	VDC	Amp	Watt	RPM	CFM	m ³ /min	Inch-H ₂ O	Pa	dB-A	g
DA09238#12U	B	12	7.0~13.8	2.00	24.00	6000	125.10	3.54	0.93	231.35	63.0	245.0
DA09238#12H	B	12	7.0~13.8	1.60	19.20	5000	101.92	2.89	0.82	204.18	55.0	245.0
DA09238#12M	B	12	7.0~13.8	1.30	15.60	4000	83.31	2.36	0.61	151.89	52.0	245.0
DA09238#12L	B	12	7.0~13.8	1.10	13.20	3000	67.23	1.90	0.44	109.56	49.0	245.0
DA09238#24U	B	24	14.0~27.6	1.00	24.00	6000	125.10	3.54	0.93	231.35	63.0	245.0
DA09238#24H	B	24	14.0~27.6	0.80	19.20	5000	101.92	2.89	0.82	204.18	55.0	245.0
DA09238#24M	B	24	14.0~27.6	0.60	14.40	4000	83.31	2.36	0.61	151.89	52.0	245.0
DA09238#24L	B	24	14.0~27.6	0.50	12.00	3000	67.23	1.90	0.44	109.56	49.0	245.0
DA09238#48U	B	48	28.0~56.0	0.50	24.00	6000	125.10	3.54	0.93	231.35	63.0	245.0
DA09238#48H	B	48	28.0~56.0	0.40	19.20	5000	101.92	2.89	0.82	204.18	55.0	245.0
DA09238#48M	B	48	28.0~56.0	0.30	14.40	4000	83.31	2.36	0.61	151.89	52.0	245.0
DA09238#48L	B	48	28.0~56.0	0.25	12.00	3000	67.23	1.90	0.44	109.56	49.0	245.0

Specifications are subject to change without notice. Please visit our website at <http://www.szhxht.com> for update information

Dimensions (Unit:mm)



PQ Curve (At rated Voltage)

