

9232

92x92x32MM

General Specifications

- ◆ Material..... Frame: Plastic (UL94V-0)
Impeller: Plastic (UL94V-0)
Lead Wire: UL1007AWG#24 or Equivalent (+) Red, (-) Black
- ◆ Expected Life..... Ball Bearing 70,000hrs (40°C)
- ◆ Temperature Range.... Operating temperature -10°C~70°C (Non-condensing)
Storage temperature -40°C~70°C (Non-condensing)
- ◆ Safety Standards..... UI, TUV, RoHS, CE
- ◆ DC Fan Specials..... RD, FG, PWM, IP56

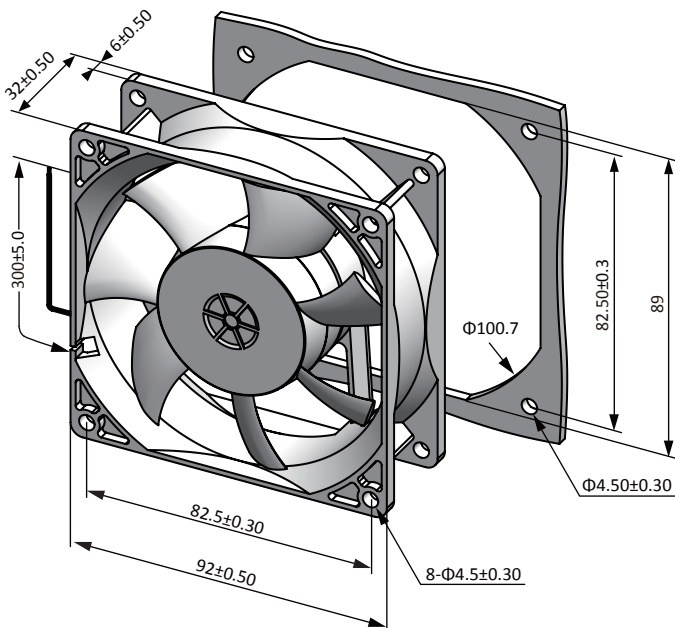


Specifications

| Model | #Bearing Type | Rated Voltage | Operating Voltage | Input Current | Input Power | Speed | Max Air Flow | | Max Static Pressure | | Noise | Weight |
|-------------|---------------|---------------|-------------------|---------------|-------------|-------|--------------|---------------------|-----------------------|--------|-------|--------|
| Part No. | B.S | VDC | VDC | Amp | Watt | RPM | CFM | m ³ /min | Inch-H ₂ O | Pa | dB-A | g |
| DA09232#12U | B | 12 | 7.0~13.8 | 2.50 | 30.00 | 6000 | 123.72 | 3.50 | 0.93 | 231.44 | 59.0 | 150.0 |
| DA09232#12H | B | 12 | 7.0~13.8 | 1.80 | 21.60 | 5500 | 113.08 | 3.20 | 0.76 | 189.66 | 55.0 | 150.0 |
| DA09232#12M | B | 12 | 7.0~13.8 | 1.20 | 14.40 | 5000 | 105.67 | 2.99 | 0.69 | 171.13 | 52.0 | 150.0 |
| DA09232#12L | B | 12 | 7.0~13.8 | 0.90 | 10.80 | 4500 | 92.01 | 2.61 | 0.53 | 132.00 | 49.0 | 150.0 |
| DA09232#24U | B | 24 | 14.0~27.6 | 1.50 | 36.00 | 6000 | 123.72 | 3.50 | 0.93 | 231.44 | 59.0 | 150.0 |
| DA09232#24H | B | 24 | 14.0~27.6 | 1.00 | 24.00 | 5500 | 113.08 | 3.20 | 0.76 | 189.66 | 55.0 | 150.0 |
| DA09232#24M | B | 24 | 14.0~27.6 | 0.80 | 19.20 | 5000 | 105.67 | 2.99 | 0.69 | 171.13 | 52.0 | 150.0 |
| DA09232#24L | B | 24 | 14.0~27.6 | 0.60 | 14.40 | 4500 | 92.01 | 2.61 | 0.53 | 132.00 | 49.0 | 150.0 |
| DA09232#48U | B | 48 | 28.0~56.0 | 0.80 | 38.40 | 6000 | 123.72 | 3.50 | 0.93 | 231.44 | 59.0 | 150.0 |
| DA09232#48H | B | 48 | 28.0~56.0 | 0.50 | 24.00 | 5500 | 113.08 | 3.20 | 0.76 | 189.66 | 55.0 | 150.0 |
| DA09232#48M | B | 48 | 28.0~56.0 | 0.40 | 19.20 | 5000 | 105.67 | 2.99 | 0.69 | 171.13 | 52.0 | 150.0 |
| DA09232#48L | B | 48 | 28.0~56.0 | 0.30 | 14.40 | 4500 | 92.01 | 2.61 | 0.53 | 132.00 | 49.0 | 150.0 |

Specifications are subject to change without notice. Please visit our website at <http://www.szhxht.com> for update information

Dimensions (Unit:mm)



PQ Curve (At rated Voltage)

