

8032

80x80x32MM

General Specifications

- ◆ Material..... Frame: Plastic (UL94V-0)
Impeller: Plastic (UL94V-0)
Lead Wire: UL1007AWG#24 or Equivalent (+) Red, (-) Black
- ◆ Expected Life..... Ball Bearing 70,000hrs (40°C)
Sleeve Bearing 30,000hrs (40°C)
- ◆ Temperature Range.... Operating temperature -10°C~70°C (Non-condensing)
Storage temperature -40°C~70°C (Non-condensing)
- ◆ Safety Standards..... UL, TUV, RoHS, CE
- ◆ DC Fan Specials..... RD, FG, PWM, IP56

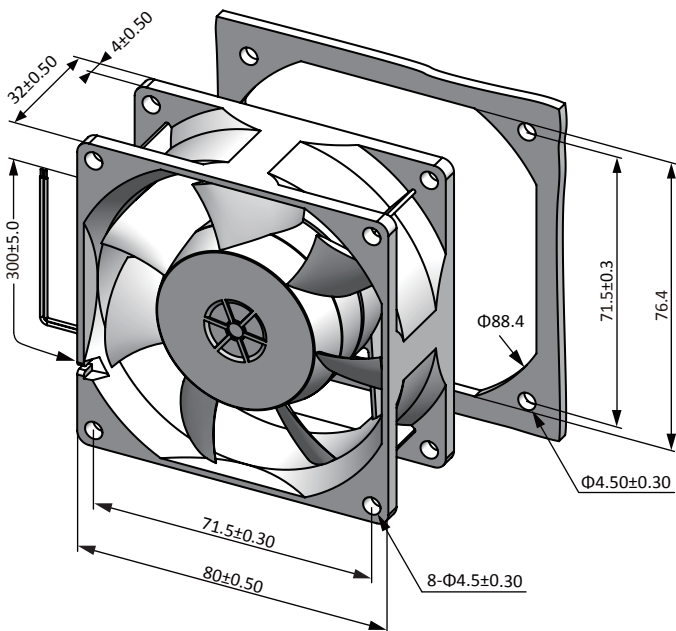


Specifications

Model	#Bearing Type	Rated Voltage	Operating Voltage	Input Current	Input Power	Speed	Max Air Flow		Max Static Pressure		Noise	Weight
Part No.	B.S	VDC	VDC	Amp	Watt	RPM	CFM	m ³ /min	Inch-H ₂ O	Pa	dB-A	g
DA08032#12U	B	12	7.0~13.8	1.50	18.00	6500	79.70	2.26	0.84	208.39	51.0	95.0
DA08032#12H	B	12	7.0~13.8	0.90	10.80	5500	67.37	1.91	0.58	144.45	45.0	95.0
DA08032#12M	B	12	7.0~13.8	0.60	7.20	4500	54.99	1.56	0.41	101.89	40.0	95.0
DA08032#12L	B	12	7.0~13.8	0.40	4.80	3500	43.01	1.22	0.25	62.66	34.0	95.0
DA08032#24U	B	24	14.0~27.6	0.80	19.20	6500	79.70	2.26	0.84	208.39	51.0	95.0
DA08032#24H	B	24	14.0~27.6	0.50	12.00	5500	67.37	1.91	0.58	144.45	45.0	95.0
DA08032#24M	B	24	14.0~27.6	0.30	7.20	4500	54.99	1.56	0.41	101.89	40.0	95.0
DA08032#24L	B	24	14.0~27.6	0.20	4.80	3500	43.01	1.22	0.25	62.66	34.0	95.0
DA08032#48U	B	48	28.0~56.0	0.50	24.00	6500	79.70	2.26	0.84	208.39	51.0	95.0
DA08032#48H	B	48	28.0~56.0	0.30	14.40	5500	67.37	1.91	0.58	144.45	45.0	95.0
DA08032#48M	B	48	28.0~56.0	0.20	9.60	4500	54.99	1.56	0.41	101.89	40.0	95.0
DA08032#48L	B	48	28.0~56.0	0.10	4.80	3500	43.01	1.22	0.25	62.66	34.0	95.0

Specifications are subject to change without notice. Please visit our website at <http://www.szhxht.com> for update information

Dimensions (Unit:mm)



PQ Curve (At rated Voltage)

