

7025

70x70x25MM

General Specifications

- ◆ Material..... Frame: Plastic (UL94V-0)
Impeller: Plastic (UL94V-0)
Lead Wire: UL1571AWG#28 or Equivalent (+) Red, (-) Black
- ◆ Expected Life..... Ball Bearing 70,000hrs (40°C)
Sleeve Bearing 30,000hrs (40°C)
- ◆ Temperature Range.... Operating temperature -10°C~70°C (Non-condensing)
Storage temperature -40°C~70°C (Non-condensing)
- ◆ Safety Standards..... UI, TUV, RoHS, CE
- ◆ DC Fan Specials..... RD, FG, PWM, IP56

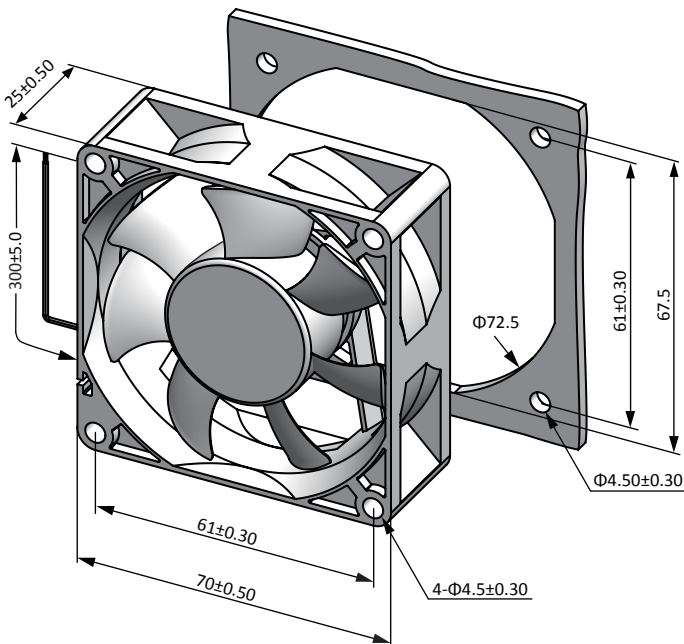


Specifications

Model	#Bearing Type	Rated Voltage	Operating Voltage	Input Current	Input Power	Speed	Max Air Flow		Max Static Pressure		Noise	Weight
Part No.	B.S	VDC	VDC	Amp	Watt	RPM	CFM	m ³ /min	Inch-H ₂ O	Pa	dB-A	g
DA07025#12U	B.S	12	7.0~13.8	0.30	3.60	4500	33.57	0.95	0.24	59.43	42.0	52.0
DA07025#12H	B.S	12	7.0~13.8	0.25	3.00	4000	31.01	0.88	0.21	52.66	37.0	52.0
DA07025#12M	B.S	12	7.0~13.8	0.20	2.40	3500	27.93	0.79	0.17	42.86	32.0	52.0
DA07025#12L	B.S	12	7.0~13.8	0.15	1.80	3000	23.02	0.65	0.13	31.28	28.0	52.0
DA07025#24U	B.S	24	14.0~27.6	0.20	4.80	4500	33.57	0.95	0.24	59.43	42.0	52.0
DA07025#24H	B.S	24	14.0~27.6	0.16	3.84	4000	31.01	0.88	0.21	52.66	37.0	52.0
DA07025#24M	B.S	24	14.0~27.6	0.12	2.88	3500	27.93	0.79	0.17	42.86	32.0	52.0
DA07025#24L	B.S	24	14.0~27.6	0.08	1.92	3000	23.02	0.65	0.13	31.28	28.0	52.0
DA07025#48U	B.S	48	28.0~56.0	0.07	3.36	4500	33.57	0.95	0.24	59.43	42.0	52.0
DA07025#48H	B.S	48	28.0~56.0	0.05	2.40	4000	31.01	0.88	0.21	52.66	37.0	52.0
DA07025#48M	B.S	48	28.0~56.0	0.04	1.92	3500	27.93	0.79	0.17	42.86	32.0	52.0
DA07025#48L	B.S	48	28.0~56.0	0.03	1.44	3000	23.02	0.65	0.13	31.28	28.0	52.0

Specifications are subject to change without notice. Please visit our website at <http://www.szhxht.com> for update information

Dimensions (Unit:mm)



PQ Curve (At rated Voltage)

