

25489

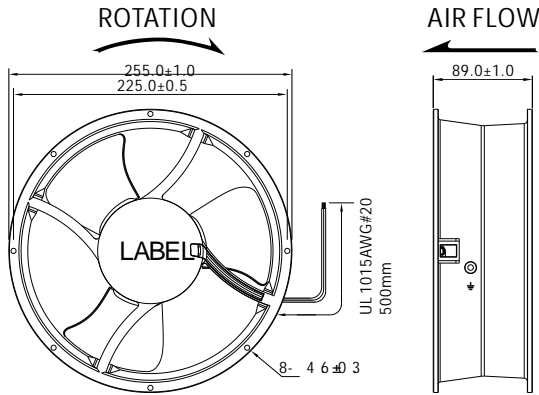
254x89MM

General Specifications

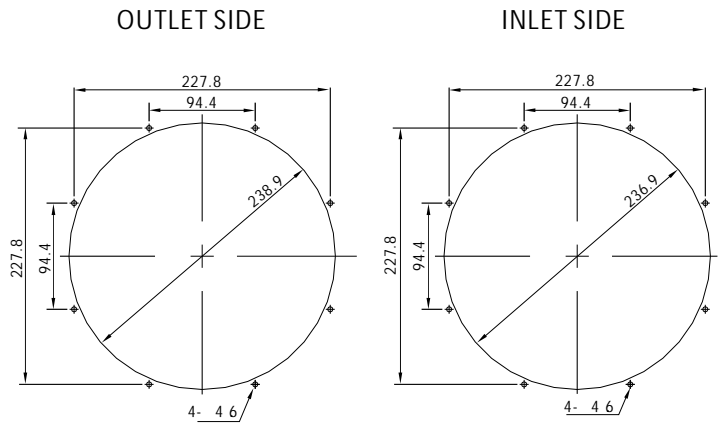
- ◆ Material..... Frame: Aluminum Alloy ,Impeller: Plastic(UL94V-0)
Lead Wire: UL1015 20# black Terminal:2.5mm
- ◆ Motor..... Capacitor-run & Internal Rotor Motor
- ◆ Input Voltage..... 110V/220V (optional)
- ◆ Dielectric Strength..... 50/60Hz ,1500VAC 1Min(between input terminal and frame)
- ◆ Expected Life..... Ball Bearing 50000hrs (40°C)
- ◆ Temperature Range..... Operating temperature -10°C~+70°C(Non-condensing)
Storage temperature -40°C~+70°C(Non-condensing)



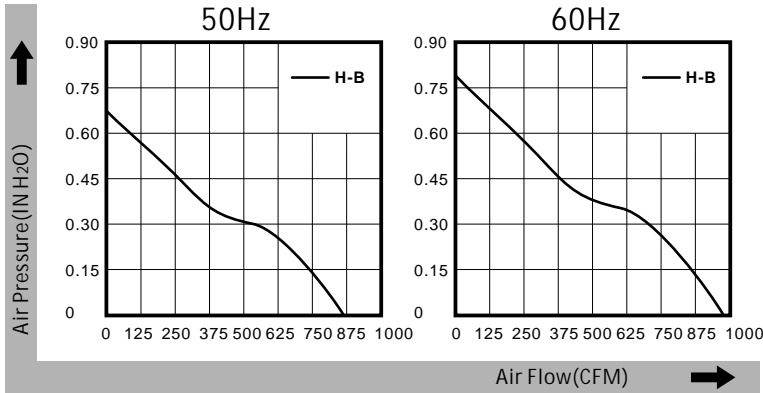
Dimensions(Unit:mm)



Mounting Panel Cutout (Unit:mm)



PQ Curve(At Rated Voltage)



Safety Standards



Specifications

Model	Bearing Type	Rated Voltage	Freq	Rated Current	Input Power	Speed	Max Air Flow	Max Static Pressure	Noise	Weight
Part No.	B	VAC	Hz	Amp	Watt	RPM	CFM	Inch-H2O	dB-A	g
AA25489B11HL(T)	Dual Ball	100-120	50/60	0.80/1.00	87/110	2600/2800	858/935	0.67/0.83	80/88	1780
AA25489B22HL(T)	Dual Ball	200-240	50/60	0.40/0.55	87/110	2600/2800	858/935	0.67/0.83	80/88	1780

Specifications are subject to change without notice. Please Visit our website at <http://www.szhxht.com> for update information.