

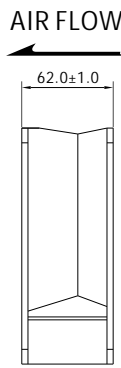
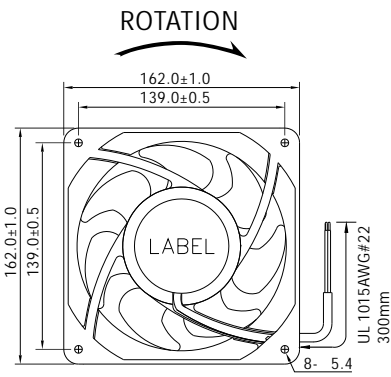
16062 160x160x62MM

General Specifications

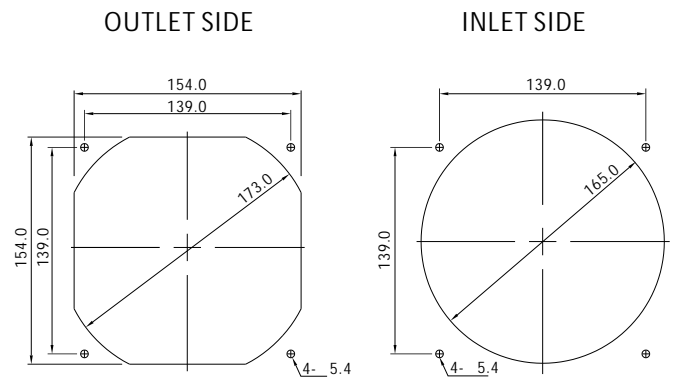
- ◆ Material..... Frame: Aluminum Alloy ,Impeller: Plastic(UL94V-0)  
Lead Wire: UL1015 22# black Terminal:2.5mm
- ◆ Motor..... Capacitor-run & Inner Rotor Motor
- ◆ Input Voltage..... 110V/220V (optional)
- ◆ Dielectric Strength..... 50/60Hz ,1500VAC 1Min(between input terminal and frame)
- ◆ Expected Life..... Ball Bearing 50000hrs (40°C)
- ◆ Temperature Range..... Operating temperature -10°C~+70°C(Non-condensing)  
Storage temperature -40°C~+70°C(Non-condensing)



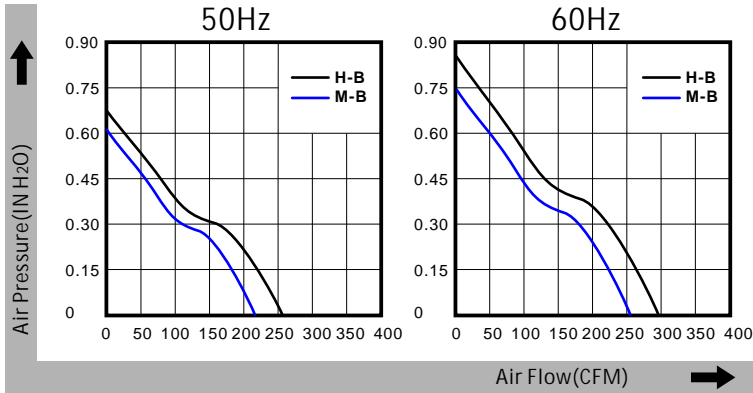
Dimensions(Unit:mm)



Mounting Panel Cutout (Unit:mm)



PQ Curve(At Rated Voltage)



Safety Standards



Specifications

Model	Bearing Type	Rated Voltage	Freq	Rated Current	Input Power	Speed	Max Air Flow	Max Static Pressure	Noise	Weight
Part No.	B	VAC	Hz	Amp	Watt	RPM	CFM	Inch-H <sub>2</sub> O	dB-A	g
AA16062B11ML(T)	Dual Ball	100~120	50/60	0.38/0.40	42/44	2300/2600	220/255	0.62/0.70	50/54	1200
AA16062B22ML(T)	Dual Ball	200~240	50/60	0.38/0.40	42/44	2300/2600	220/255	0.70/0.85	54/59	1200
AA16062B11HL(T)	Dual Ball	100~120	50/60	0.40/0.42	44/46	2600/3000	255/295	0.62/0.70	50/54	1200
AA16062B22HL(T)	Dual Ball	200~240	50/60	0.40/0.42	44/46	2600/3000	255/295	0.70/0.85	54/59	1200

Specifications are subject to change without notice. Please Visit our website at <http://www.szhxht.com> for update information.