

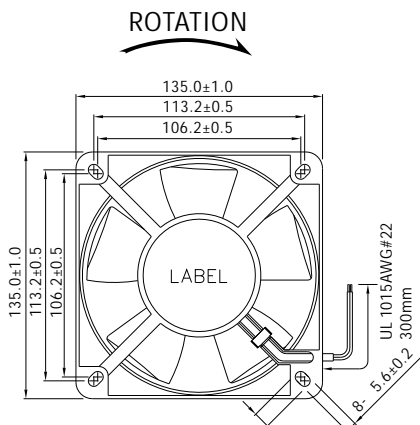
13538 135x135x38MM

General Specifications

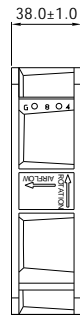
- ◆ Material..... Frame: Aluminum Alloy ,Impeller: Plastic(UL94V-0)
Lead Wire: UL1015 22# black Terminal:2.5mm
- ◆ Motor..... Shaded Pole & Internal Rotor Motor
- ◆ Input Voltage..... 110V/220V (optional)
- ◆ Dielectric Strength..... 50/60Hz ,1500VAC 1Min(between input terminal and frame)
- ◆ Expected Life..... Ball Bearing 50000hrs, Sleeve Bearing 30000hrs(40°C)
- ◆ Temperature Range..... Operating temperature -10°C~+70°C(Non-condensing)
Storage temperature -40°C~+70°C(Non-condensing)



Dimensions(Unit:mm)

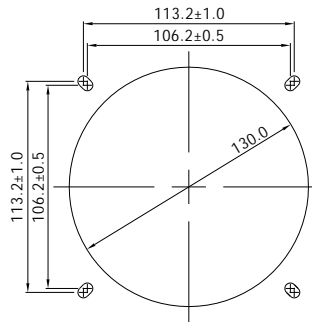


AIR FLOW

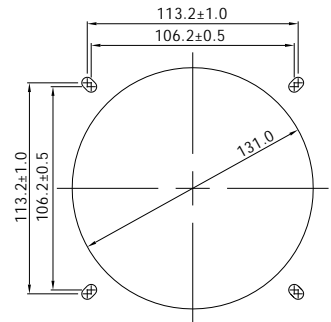


Mounting Panel Cutout (Unit:mm)

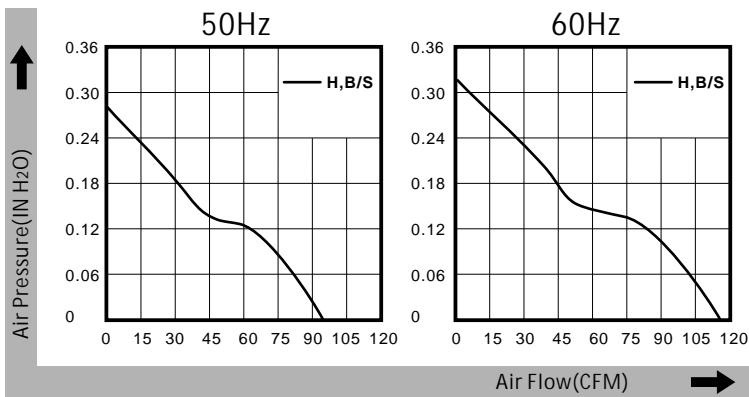
OUTLET SIDE



INLET SIDE



PQ Curve(At Rated Voltage)



Safety Standards



Specifications

Model	Bearing Type	Rated Voltage	Freq	Rated Current	Input Power	Speed	Max Air Flow	Max Static Pressure	Noise	Weight
Part No.	B/S	VAC	Hz	Amp	Watt	RPM	CFM	Inch-H ₂ O	dB-A	g
AA13538S11HL	Sleeve	100~120	50/60	0.34/0.30	25/20	2250/2450	95/110	0.28/0.32	55/57	650
AA13538S22HL	Sleeve	200~240	50/60	0.18/0.14	25/20	2250/2450	95/110	0.28/0.32	55/57	650
AA13538B11HL	Dual Ball	100~120	50/60	0.34/0.30	25/20	2250/2450	95/110	0.28/0.32	55/57	650
AA13538B22HL	Dual Ball	200~240	50/60	0.18/0.14	25/20	2250/2450	95/110	0.28/0.32	55/57	650

Specifications are subject to change without notice. Please Visit our website at <http://www.szhxht.com> for update information.