

8025

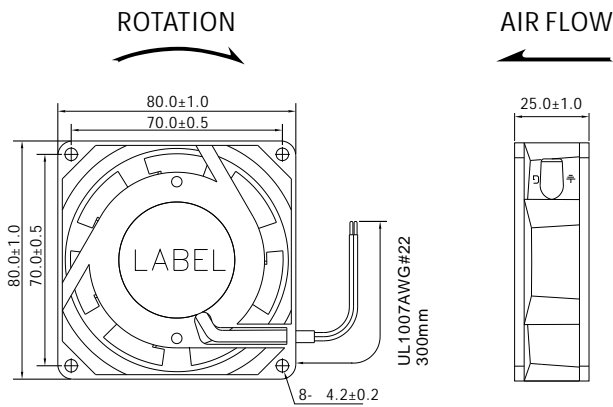
80x80x25MM



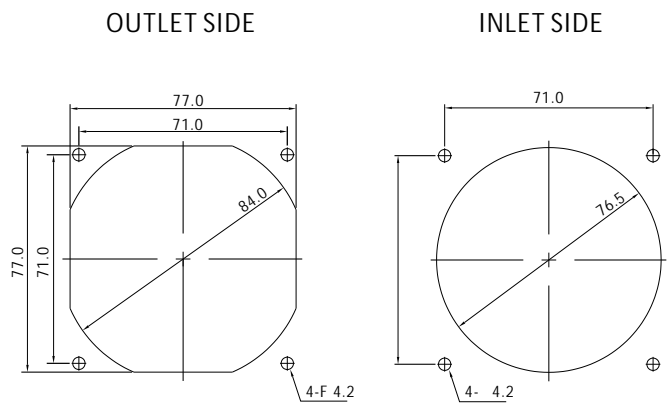
General Specifications

- ◆ Material..... Frame: Aluminum Alloy ,Impeller: Plastic(UL94V-0)
Lead Wire: UL1007 22# black Terminal:2.5mm
- ◆ Motor..... Shaded Pole & Internal Rotor Motor
- ◆ Input Voltage..... 110V/220V (optional)
- ◆ Dielectric Strength..... 50/60Hz ,1500VAC 1Min(between input terminal and frame)
- ◆ Expected Life..... Ball Bearing 50000hrs, Sleeve Bearing 30000hrs (40°C)
- ◆ Temperature Range..... Operating temperature -10°C~+70°C(Non-condensing)
Storage temperature -40°C~+70°C(Non-condensing)

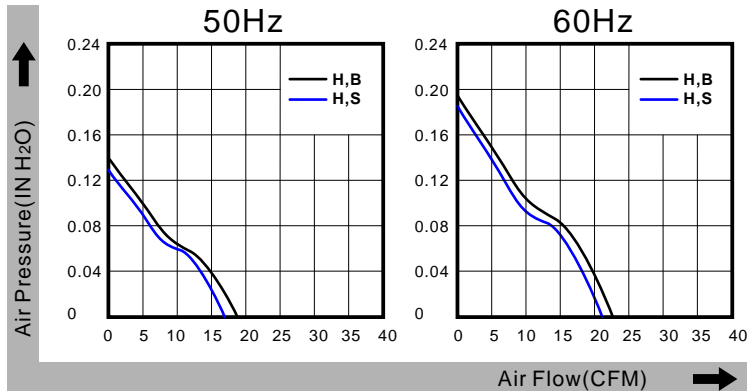
Dimensions(Unit:mm)



Mounting Panel Cutout (Unit:mm)



PQ Curve(At Rated Voltage)



Safety Standards



Specifications

Model	Bearing Type	Rated Voltage	Freq	Rated Current	Input Power	Speed	Max Air Flow	Max Static Pressure	Noise	Weight
Part No.	B/S	VAC	Hz	Amp	Watt	RPM	CFM	Inch-H ₂ O	dB-A	g
AA08025S11HL(T)	Sleeve	100-120	50/60	0.14/0.12	13/11	2300/2700	17/21	0.13/0.18	30/34	230
AA08025S22HL(T)	Sleeve	200-240	50/60	0.08/0.07	13/11	2300/2700	17/21	0.13/0.18	30/34	230
AA08025B11HL(T)	Dual Ball	100-120	50/60	0.14/0.12	13/11	2400/2800	18/22	0.14/0.19	31/35	230
AA08025B22HL(T)	Dual Ball	200-240	50/60	0.08/0.07	13/11	2400/2800	18/22	0.14/0.19	31/35	230

Specifications are subject to change without notice. Please Visit our website at <http://www.szhxt.com> for update information.