

12025Z 120x120x25MM

DUST PROOF SERIES

NEW



General Specifications

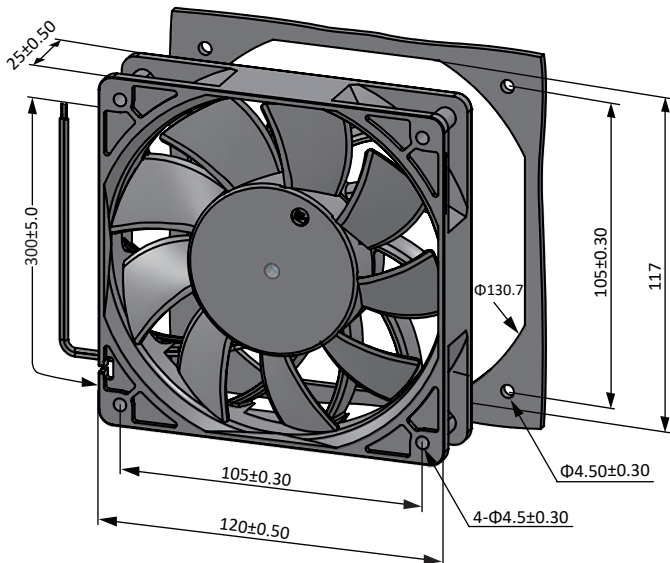
- ◆ Material..... Frame: Plastic (UL94V-0)  
Impeller: Plastic (UL94V-0)  
Lead Wire: UL1007AWG#24 or Equivalent (+) Red, (-) Black
- ◆ Expected Life..... Ball Bearing 70,000hrs (40°C)  
Sleeve Bearing 30,000hrs (40°C)
- ◆ Temperature Range... Operating temperature -10°C~70°C (Non-condensing)  
Storage temperature -40°C~70°C (Non-condensing)
- ◆ Safety Standards..... UL, TUV, RoHS, CE
- ◆ DC Fan Specials..... RD, FG, PWM, IP56

Specifications

Model	Rev	#Bearing Type	Rated Voltage	Operating Voltage	Input Current	Input Power	Speed	Max Air Flow		Max Static Pressure		Noise	Weight
Part No.	A	B.S	VDC	VDC	Amp	Watt	RPM	CFM	m <sup>3</sup> /min	Inch-H <sub>2</sub> O	Pa	dB-A	g
DA12025B12U	FCA	B	12	7.0~13.8	2.10	25.20	5500	179.31	5.08	1.36	338.10	64.2	164.0
DA12025B12H	FCA	B	12	7.0~13.8	1.50	18.00	5000	162.64	4.61	1.13	280.28	61.7	164.0
DA12025B12M	FCA	B	12	7.0~13.8	1.14	13.68	4500	145.53	4.12	0.91	226.38	58.2	164.0
DA12025B12L	FCA	B	12	7.0~13.8	0.82	9.84	4000	128.50	3.64	0.71	177.38	54.4	164.0
DA12025B12D	FCA	B	12	7.0~13.8	0.60	7.20	3500	111.77	3.17	0.56	138.18	52.0	164.0
DA12025B24U	FCA	B	12	7.0~13.8	0.81	19.44	5500	179.31	5.08	1.36	338.10	64.2	164.0
DA12025B24H	FCA	B	12	7.0~13.8	0.64	15.36	5000	162.64	4.61	1.13	280.28	61.7	164.0
DA12025B24M	FCA	B	24	14.0~27.6	0.50	12.00	4500	145.53	4.12	0.91	226.38	58.2	164.0
DA12025B24L	FCA	B	24	14.0~27.6	0.38	9.12	4000	128.50	3.64	0.71	177.38	54.4	164.0
DA12025B24D	FCA	B	24	14.0~27.6	0.28	6.72	3500	111.77	3.17	0.56	138.18	52.0	164.0
DA12025B48U	FCA	B	24	14.0~27.6	0.54	25.92	5500	179.31	5.08	1.36	338.10	64.2	164.0
DA12025B48H	FCA	B	48	28.0~56.0	0.42	20.16	5000	162.64	4.61	1.13	280.28	61.7	164.0
DA12025B48M	FCA	B	48	28.0~56.0	0.29	13.92	4500	145.53	4.12	0.91	226.38	58.2	164.0
DA12025B48L	FCA	B	48	28.0~56.0	0.22	10.56	4000	128.50	3.64	0.71	177.38	54.4	164.0
DA12025B48D	FCA	B	48	28.0~56.0	0.16	7.68	3500	111.77	3.17	0.56	138.18	52.0	164.0

Specifications are subject to change without notice. Please visit our website at <http://www.szhxht.com> for update information

Dimensions (Unit:mm)



PQ Curve (At rated Voltage)

