

9225D

92x92x25MM

DUST PROOF SERIES

NEW



General Specifications

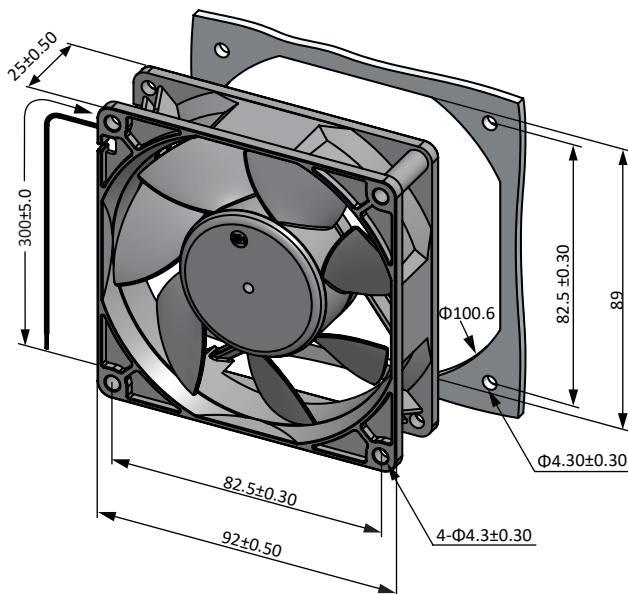
- ◆ Material..... Frame: Plastic (UL94V-0)
Impeller: Plastic (UL94V-0)
Lead Wire: UL1007AWG#24 or Equivalent (+) Red, (-) Black
- ◆ Expected Life..... Ball Bearing 70,000hrs (40°C)
- ◆ Temperature Range... Operating temperature -10°C~70°C (Non-condensing)
Storage temperature -40°C~70°C (Non-condensing)
- ◆ Safety Standards..... UL, TUV, RoHS, CE
- ◆ DC Fan Specials..... RD, FG, PWM, IP56

Specifications

Model	Rev	#Bearing Type	Rated Voltage	Operating Voltage	Input Current	Input Power	Speed	Max Air Flow		Max Static Pressure		Noise	Weight
Part No.	A	B	VDC	VDC	Amp	Watt	RPM	CFM	m ³ /min	Inch-H ₂ O	Pa	dB-A	g
DA09225#12U	FCA	B	12	7.0~13.8	0.81	9.72	6000	104.24	2.95	0.70	174.31	55.3	117.0
DA09225#12H	FCA	B	12	7.0~13.8	0.62	7.44	5500	94.04	2.66	0.59	147.98	52.2	117.0
DA09225#12M	FCA	B	12	7.0~13.8	0.50	6.00	5000	86.34	2.44	0.50	123.97	49.9	117.0
DA09225#12L	FCA	B	12	7.0~13.8	0.36	4.32	4500	76.69	2.17	0.40	100.65	47.4	117.0
DA09225#12D	FCA	B	12	7.0~13.8	0.30	3.60	4000	69.62	1.96	0.33	83.10	45.5	117.0
DA09225#24U	FCA	B	24	14.0~27.6	0.40	9.60	6000	104.24	2.95	0.70	174.31	55.3	117.0
DA09225#24H	FCA	B	24	14.0~27.6	0.30	7.20	5500	94.04	2.66	0.59	147.98	52.2	117.0
DA09225#24M	FCA	B	24	14.0~27.6	0.25	6.00	5000	86.34	2.44	0.50	123.97	49.9	117.0
DA09225#24L	FCA	B	24	14.0~27.6	0.20	4.80	4500	76.69	2.17	0.40	100.65	47.4	117.0
DA09225#24D	FCA	B	24	14.0~27.6	0.15	3.60	4000	69.62	1.96	0.33	83.10	45.5	117.0
DA09225#48U	FCA	B	48	28.0~56.0	0.23	11.04	6000	104.24	2.95	0.70	174.31	55.3	117.0
DA09225#48H	FCA	B	48	28.0~56.0	0.17	8.16	5500	94.04	2.66	0.59	147.98	52.2	117.0
DA09225#48M	FCA	B	48	28.0~56.0	0.14	6.72	5000	86.34	2.44	0.50	123.97	49.9	117.0
DA09225#48L	FCA	B	48	28.0~56.0	0.11	5.28	4500	76.69	2.17	0.40	100.65	47.4	117.0
DA09225#48D	FCA	B	48	28.0~56.0	0.09	4.32	4000	69.62	1.96	0.33	83.10	45.5	117.0

Specifications are subject to change without notice. Please visit our website at <http://www.szhxht.com> for update information

Dimensions (Unit:mm)



PQ Curve (At rated Voltage)

