

17251

172x172x51MM

DUST PROOF SERIES

NEW



General Specifications

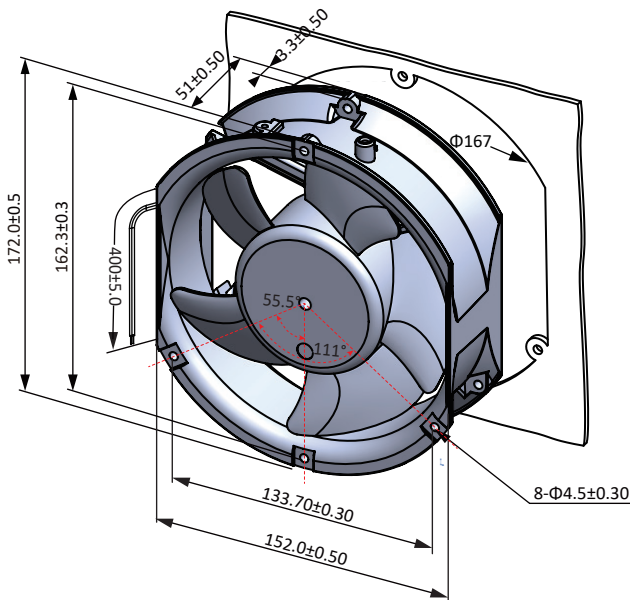
- ◆ Material..... Frame: Aluminum Alloy, Painted black
Impeller: Plastic (UL94V-0)
Lead Wire: UL1007AWG#22 or Equivalent (+) Red, (-) Black
- ◆ Expected Life..... Ball Bearing 70,000hrs (40°C)
- ◆ Temperature Range.... Operating temperature -10°C~70°C (Non-condensing)
Storage temperature -40°C~70°C (Non-condensing)
- ◆ Safety Standards..... UL, TUV, RoHS, CE
- ◆ DC Fan Specials..... RD, FG, PWM, Temperature control, IP68

Specifications

Model	#Bearing Type	Rated Voltage	Operating Voltage	Input Current	Input Power	Speed	Max Air Flow		Max Static Pressure		Noise	Weight
Part No.	B.S	VDC	VDC	Amp	Watt	RPM	CFM	m ³ /min	Inch-H ₂ O	Pa	dB-A	g
DA17251B12M	B	12	7.0~13.8	1.12	13.44	3000	195.30	5.53	0.71	177.40	58.6	766.0
DA17251B12L	B	12	7.0~13.8	0.70	8.40	2500	164.19	4.65	0.50	125.11	49.9	766.0
DA17251B24U	B	24	7.0~13.8	0.93	22.32	4000	262.80	7.44	1.14	283.31	66.2	766.0
DA17251B24H	B	24	7.0~13.8	0.68	16.32	3500	229.91	6.51	0.99	246.05	62.5	766.0
DA17251B24M	B	24	14.0~27.6	0.46	11.04	3000	195.30	5.53	0.71	177.40	58.5	766.0
DA17251B24L	B	24	14.0~27.6	0.30	7.20	2500	164.19	4.65	0.50	125.11	49.1	766.0
DA17251B48U	B	48	14.0~27.6	0.49	23.52	4000	262.80	7.44	1.14	283.31	66.2	766.0
DA17251B48H	B	48	28.0~56.0	0.35	16.80	3500	229.91	6.51	0.99	246.05	62.5	766.0
DA17251B48M	B	48	28.0~56.0	0.22	10.56	3000	195.30	5.53	0.71	177.40	58.5	766.0
DA17251B48L	B	48	28.0~56.0	0.15	7.20	2500	164.19	4.65	0.50	125.11	49.1	766.0

Specifications are subject to change without notice. Please visit our website at <http://www.szhxht.com> for update information

Dimensions (Unit:mm)



PQ Curve (At rated Voltage)

