

17251

172x172x51MM

DUST PROOF SERIES

NEW



General Specifications

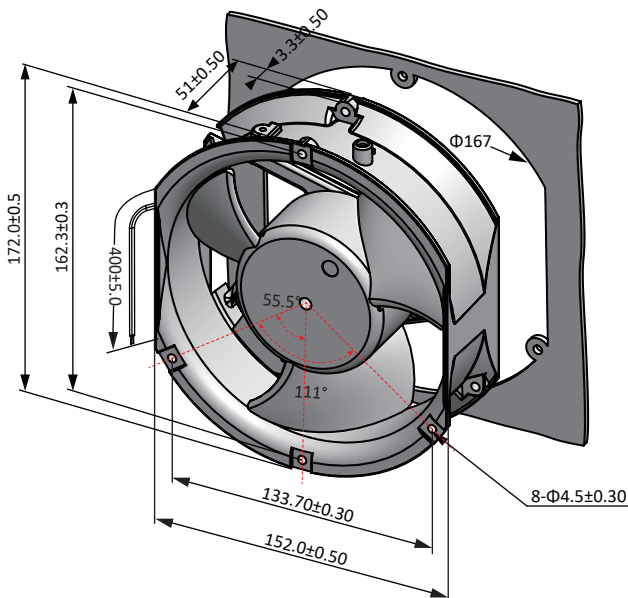
- ◆ Material..... Frame: Aluminum Alloy, Painted black
Impeller: Plastic (UL94V-0)
Lead Wire: UL1007AWG#22 or Equivalent (+) Red, (-) Black
- ◆ Expected Life..... Ball Bearing 70,000hrs (40°C)
- ◆ Temperature Range.... Operating temperature -10°C~70°C (Non-condensing)
Storage temperature -40°C~70°C (Non-condensing)
- ◆ Safety Standards..... UL, TUV, RoHS, CE
- ◆ DC Fan Specials..... RD, FG, PWM, Temperature control, IP68

Specifications

Model	Rev	#Bearing Type	Rated Voltage	Operating Voltage	Input Current	Input Power	Speed	Max Air Flow		Max Static Pressure		Noise	Weight
Part No.	A	B.S	VDC	VDC	Amp	Watt	RPM	CFM	m ³ /min	Inch-H ₂ O	Pa	dB-A	g
DA17251B12L	FCB	B	12	7.0~13.8	3.10	37.20	4500	325.57	9.22	1.40	347.90	63.7	750.0
DA17251B12D	FCB	B	12	7.0~13.8	2.60	31.20	4000	287.45	8.14	1.11	277.34	60.0	750.0
DA17251B24U	FCB	B	24	14.0~27.6	3.30	79.20	6000	434.28	12.30	2.23	555.66	75.0	750.0
DA17251B24H	FCB	B	24	14.0~27.6	2.70	64.80	5500	397.42	11.25	2.07	514.50	72.0	750.0
DA17251B24M	FCB	B	24	14.0~27.6	1.90	45.60	5000	359.02	10.17	1.72	427.28	69.0	750.0
DA17251B24L	FCB	B	24	14.0~27.6	1.50	36.00	4500	325.57	9.22	1.40	347.90	66.3	750.0
DA17251B24D	FCB	B	24	14.0~27.6	1.00	24.00	4000	287.45	8.14	0.80	277.34	55.1	750.0
DA17251B48U	FCB	B	48	28.0~56.0	1.65	79.10	6000	434.28	6.67	1.76	555.66	75.0	750.0
DA17251B48H	FCB	B	48	28.0~56.0	1.25	60.00	5500	397.42	6.19	1.52	514.50	72.0	750.0
DA17251B48M	FCB	B	48	28.0~56.0	0.98	47.04	5000	359.02	5.47	1.27	427.28	69.0	750.0
DA17251B48L	FCB	B	48	28.0~56.0	0.75	36.00	4500	325.57	4.97	1.01	347.90	66.3	750.0
DA17251B48D	FCB	B	48	28.0~56.0	0.55	36.40	4000	287.45	4.42	0.80	277.34	55.1	750.0

Specifications are subject to change without notice. Please visit our website at <http://www.szhxht.com> for update information

Dimensions (Unit:mm)



PQ Curve (At rated Voltage)

