

19069

Φ190x69MM

General Specifications

- ◆ Material..... Pillow: Die-Cast Aluminum
Impeller: Plastic (UL94V-0)
Lead Wire: UL1007AWG#20 or Equivalent (+) Red, (-) Black
- ◆ Expected Life..... Ball Bearing 50,000hrs (40°C)
- ◆ Temperature Range.... Operating temperature -10°C~70°C (Non-condensing)
Storage temperature -40°C~70°C (Non-condensing)
- ◆ Safety Standards..... UL, TUV, RoHS, CE
- ◆ DC Fan Specials..... RD, FG, PWM, Temperature control, IP56

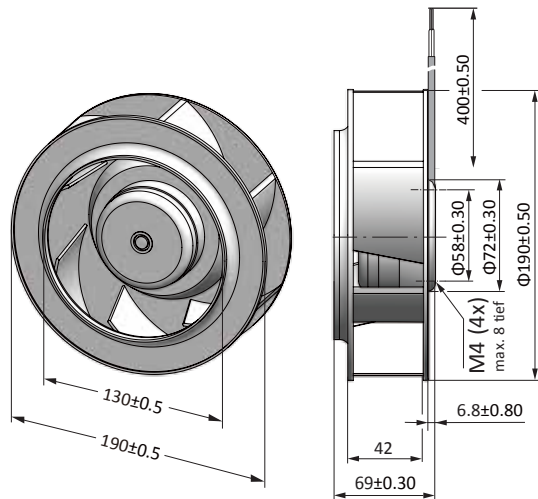


Specifications

Model	#Bearing Type	Rated Voltage	Operating Voltage	Input Current	Input Power	Speed	Max Air Flow		Max Static Pressure		Noise	Weight
Part No.	B.S	VDC	VDC	Amp	Watt	RPM	CFM	m ³ /min	Inch-H ₂ O	Pa	dB-A	g
DB19069B24H	B	24	14.0~27.6	2.60	48.00	3000	371.10	10.50	1.92	477.92	69.0	830.0
DB19069B24M	B	24	14.0~27.6	1.40	24.00	2500	309.25	8.76	1.34	331.90	65.0	830.0
DB19069B24L	B	24	14.0~27.6	0.80	16.80	2000	247.40	7.01	0.85	212.40	60.0	830.0
DB19069B48H	B	48	28.0~56.0	1.30	12.00	3000	371.10	10.50	1.92	477.92	69.0	830.0
DB19069B48M	B	48	28.0~56.0	0.80	48.00	2500	309.25	8.76	1.34	331.90	65.0	830.0
DB19069B48L	B	48	28.0~56.0	0.60	28.80	2000	247.40	7.01	0.85	212.40	60.0	830.0

Specifications are subject to change without notice. Please visit our website at <http://www.szhxht.com> for update information

Dimensions (Unit:mm)



PQ Curve (At rated Voltage)

